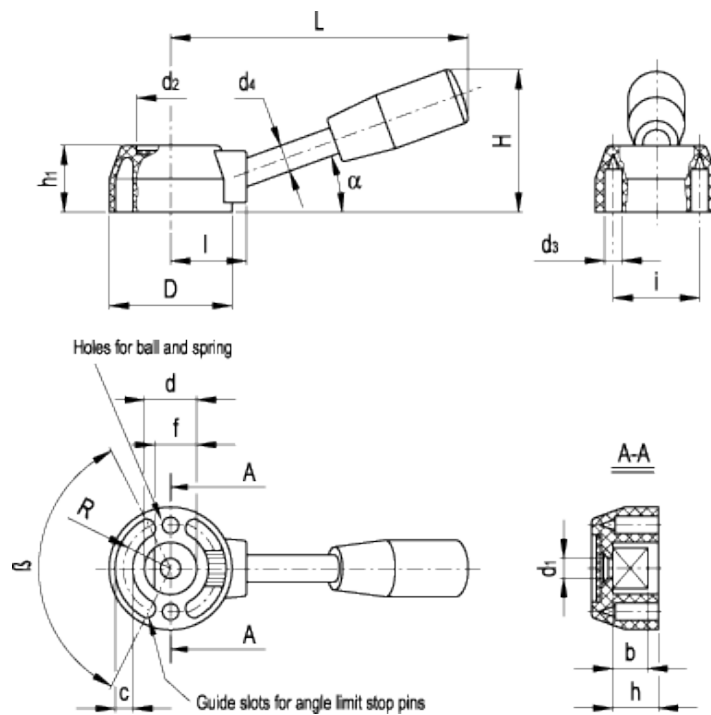


LBR.N

Control levers



ELESA Original design



technical informations

Lever body

Glass-fibre reinforced polyamide based (PA) technopolymer. Resistant to solvents, oils, greases and other chemical agents.

Colour

Black, glossy finish.

Assembly

Plain hole with flat face.

- LBR.45 N and LBR.54 N: flat face opposite to the arm.
- LBR.75 N: flat face in correspondance of the arm.

Lever arm

Matte chrome-plated steel with cylindrical handle type [L.280](#) in phenolic based (PF) Duroplast, black colour, matte finish.

Self-adhesive front plate

Matte anodised aluminium to be fitted after the assembly of the lever.

Accessories on request

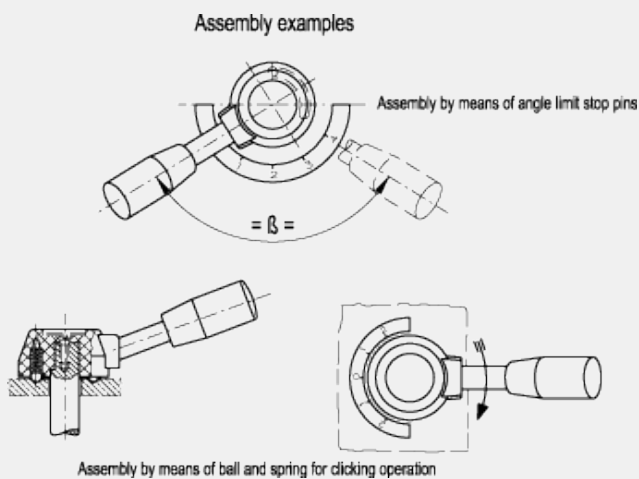
Ball and spring for clicking operation to be fitted into the two holes drilled at 180° (see ball and spring [MS.](#)).

Special executions on request (For sufficient quantities)

- Different arms lengths.
- Different handles shapes.
- Front plate with words, marks, symbols, graphics, etc...

Limited manoeuvre angle assembly

A limited manoeuvre angle assembly is possible by setting on the machine frame one or two stop pins matching the rear guide slots of the lever body.



Standard Elements		Main dimensions														Mounting hole				Weight
Code	Description	D	L	H	h_1	α	d_1	d_2	d_3	d_4	i	l	R	c	β	d_{H8}	$f_{+0.05}$	h	b	g
33211	LBR.45/110 N-16	45	108	52	25	20°	6.5	25	6	10	32	28	17.5	7	125±1°	16	13	16	12	80
33311	LBR.54/130 N-22	54	125	66	30	25°	6.5	31	8	12	39	34	20.2	7.3	125±1°	22	19	21	16	130
33411	LBR.75/170 N-25	75	170	80	38	20°	8.5	42	10	14	55	45	26	15	105±1°	25	22	26	21	255

This product had the following design awards:



ELESA and GANTER models all rights reserved in accordance with the law. Always mention the source when reproducing our drawings.

STANDARD MACHINE ELEMENTS WORLDWIDE